



Structured Home Wiring System from

[www.dynamix.co.nz](http://www.dynamix.co.nz)

**DYN**  **MIX**



Video



Audio



Telecom

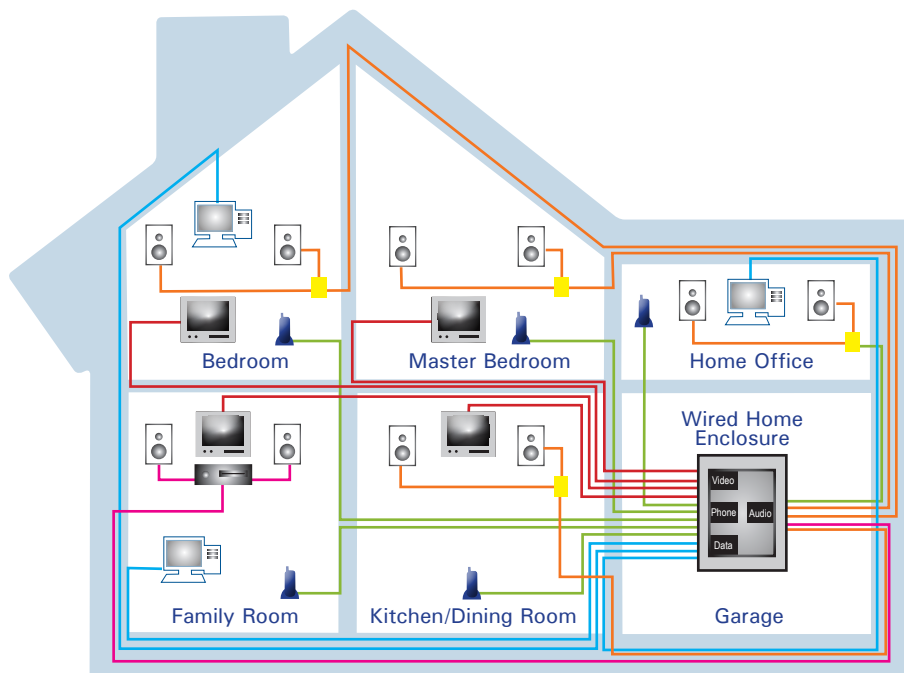


Internet



Security

## INSTRUCTIONS FOR MOUNTING THE ENCLOSURE & INSTALLING THE MODULES



**“YOUR HOME FUTURE-READY “**

## HINGED ENCLOSURE

### Mounting the enclosure

Cavity mount - Use the mounting tabs or side slots to mount the enclosure between the studs, or use mounting holes provided in the back of the unit for a surface mount. Be sure to leave enough space both on the top and the bottom of the enclosure for wire routing.

N.B. - Make sure the UP arrow faces the top.

### Surface mounting method

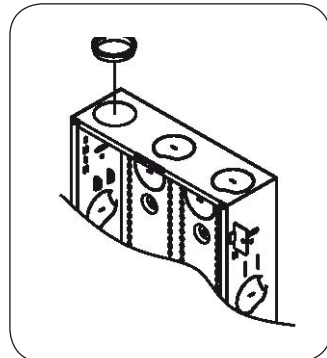
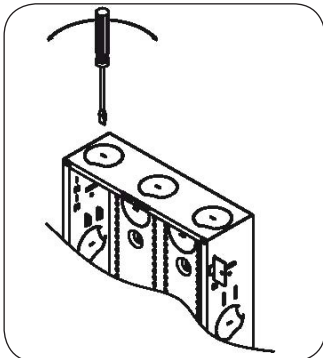
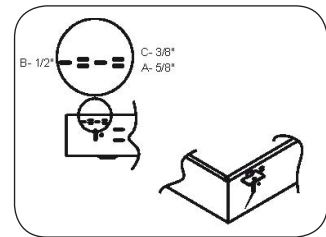
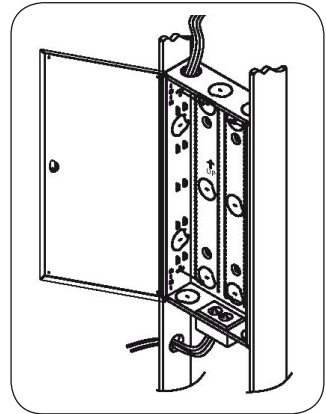
1. Attach the enclosure in the desired position with screw anchors recommended to support the weight of the enclosure. Mark the keyhole.
2. Install the enclosure with wood screws at mark.

### Cavity mounting method

1. Position the enclosure with the front protruding beyond the wallboard surface so that it will match the finished wall.
2. Mark the centre of the mounting slots located at the side of the unit. This allows for further adjustment to match the finished wall.
3. Drill pilot holes and install the enclosure using wood screws, or use the mounting tabs provided. Select the proper side slots (A-5/8", B-1/2" or C-3/8" for wallboard).

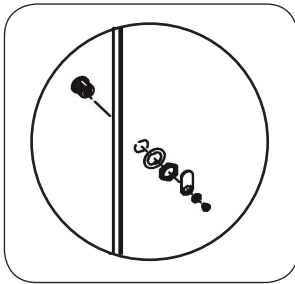
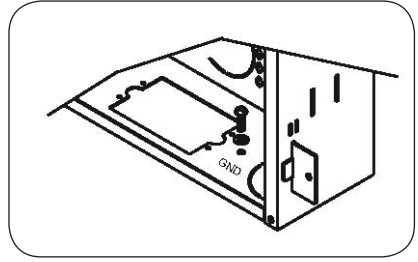
### Remove the knockouts for wiring

Remove the knockouts located at the top, bottom, side and back of the enclosure as needed for wiring. Insert a screwdriver into the slot and bend to remove the knockout. Insert the plastic grommets in the opening to protect cables from being damaged.



## Grounding the enclosure

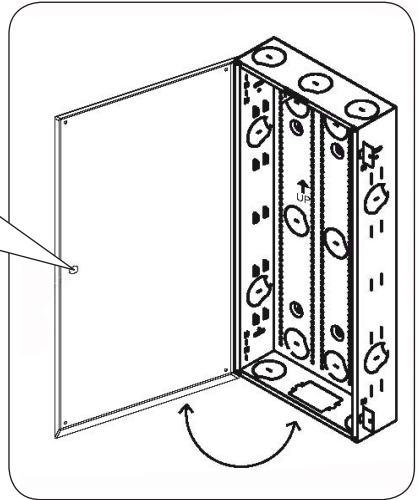
The grounding screw is located at the bottom of the enclosure. A grounding wire is needed and should be connected securely between the grounding screw and an earth ground point such as a metallic water pipe.



Lock Hole

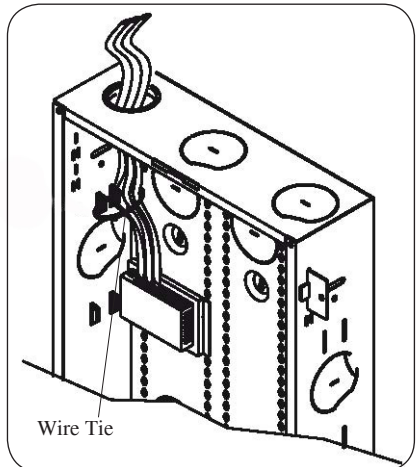
## Install the key lock (optional)

1. Remove the key lock knockout metal on the cover.
2. Install key lock in the cover of the enclosure and save the key in a secure location.



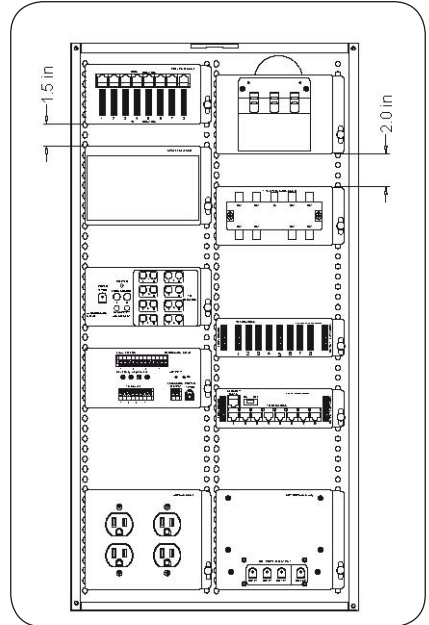
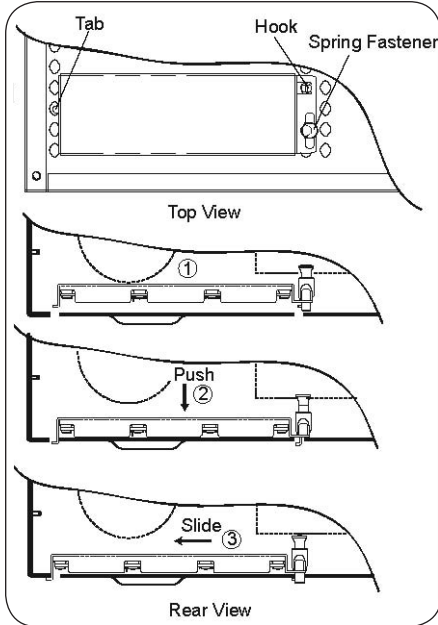
## Wire ties

Use the provided wire ties to group cables and attach them to the side grids of the enclosure for easy maintenance.



## Module Installation

1. Place the module horizontally.
2. Push the module so the hook and tabs will fall into the rail slots of the enclosure.
3. Slide the module left and the spring fastener will automatically lock the module at the desired position.



## Accessories

